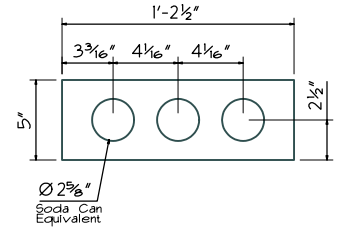
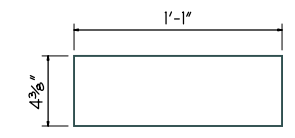


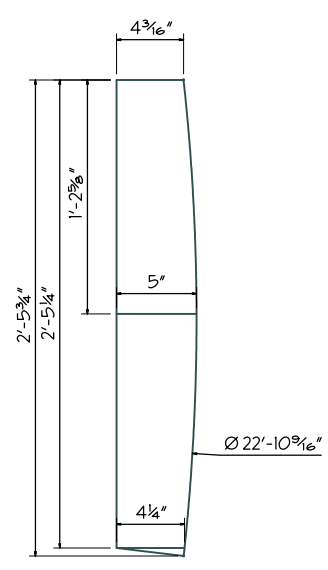
Spice Rack Front - 1
1/4" thick



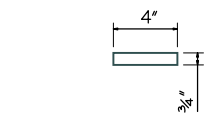
Top Shelf/Drink Holder - 1
1/4" thick



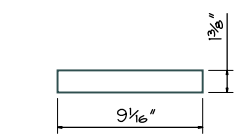
Shelves - 4
5/8" thick



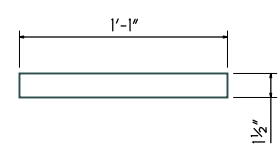
Cabinet Side - 2
1/4" thick



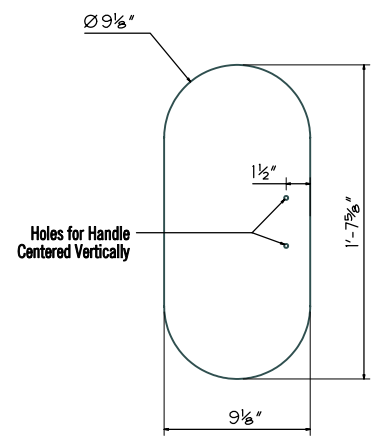
Top Shelf Support
3/4" thick



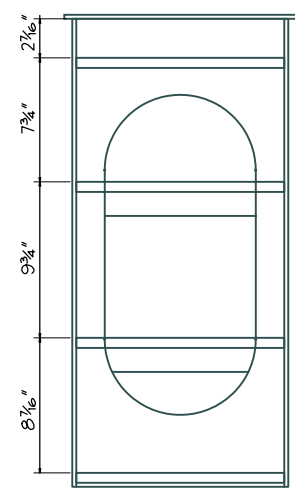
Shelf Support/Door Stop - 1
1/2" thick



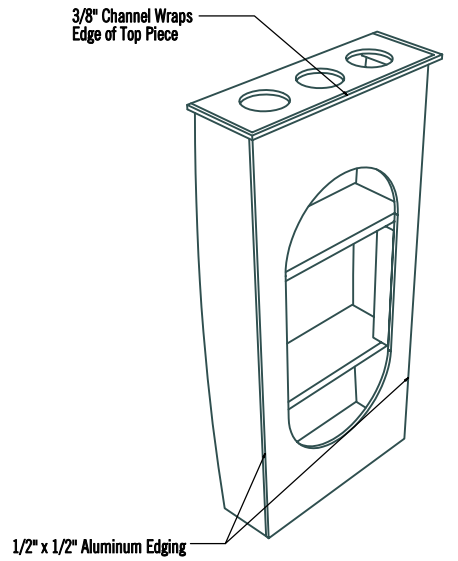
Shelf Support - 2
1/2" thick



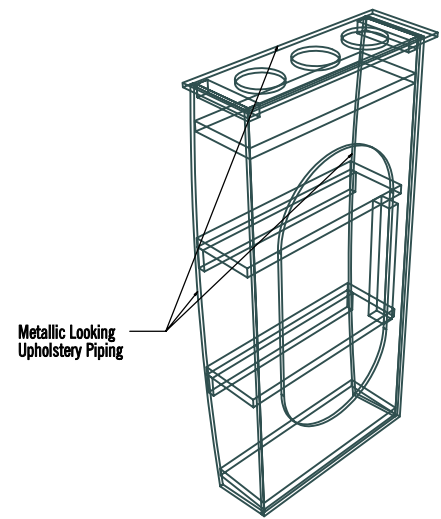
Door
1/4" thick



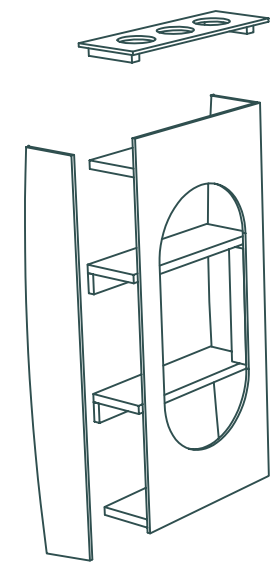
Spice Rack Front Elevation
1/4" thick



Spice Rack Perspective



Spice Rack Perspective



Spice Rack Perspective

NOTE:

The drawings in this set represent my best attempt to recreate the interior of my '65 Kombi. I measured my existing cabinets as closely as I felt was warranted. These drawings may be printed out and used to create cabinets of your own, please double check these measurements against the installation location to insure a proper fit. If you attempt to disseminate this information please maintain the format as presented.

Spice Rack

E-Z Camper Interior

PROJ: 1965 VW Kombi w/EZ-Camper Interior
DRAWN BY: KEVIN GUARNOTTA
SHEET #

REV: 1.0